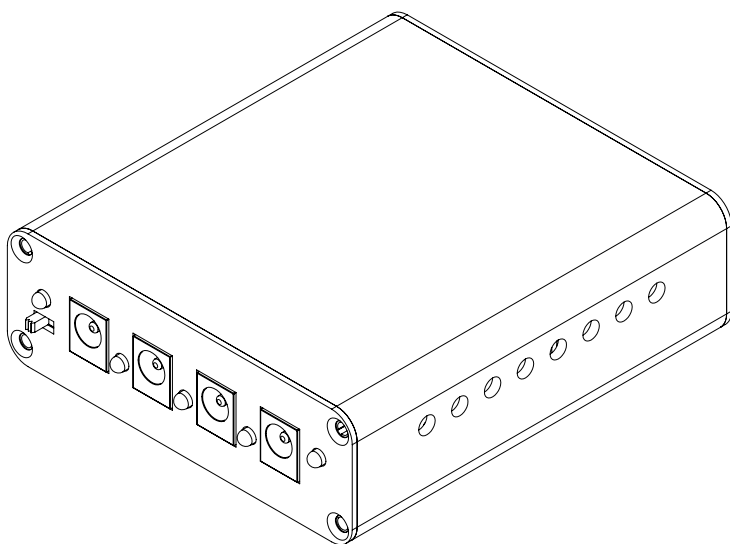


# Elite Acoustics Engineering

## Gig-ISO 4

### High Current Transformer Isolated Pedalboard Power Supply with 4 outputs



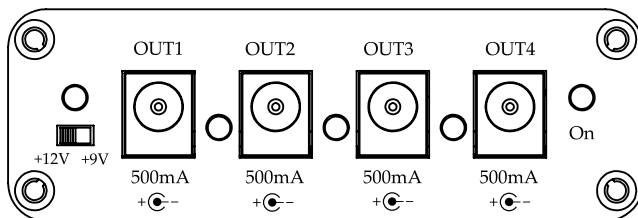
#### **WHAT IS IN THE BOX**

Your Gig-ISO 4 package contains the following:

- (1) Gig-ISO 4 unit
- (1) AC to 12VDC Power Supply Adapter
- (2) BLACK (5.5/2.1mm) to BLACK (5/2.1mm) 9"
- (2) BLACK (5.5/2.1mm) to BLACK (5/2.1mm) 18"
- (1) BLACK (5.5/2.1mm) Center Negative to RED (5/2.1mm) REVERSE Center Positive - 18"

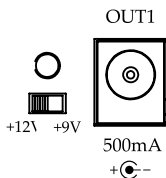
-\*use this type BLACK to RED for reverse polarity from Pedal Power supply (center negative) to StompMix 4 or GigMix 4-1\*

NOTE: Due to continuous development and improvements of our products, features and specifications are subject to change without notice. All weights and measures are approximate.  
For more technical questions, please visit: [www.eliteacoustics.com](http://www.eliteacoustics.com)



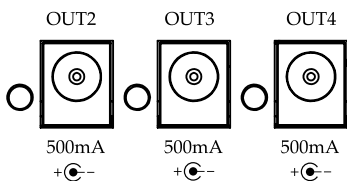
## Front View

### Output 1



Selectable  
+9VDC 500mA  
or +12VDC 500mA

### Outputs 2 to 4



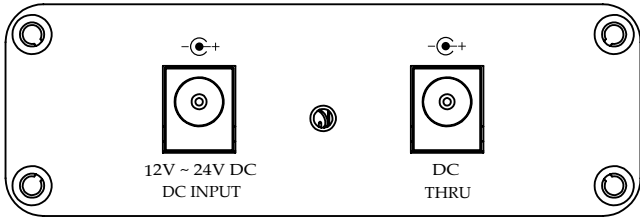
+9V DC  
500mA  
with GREEN LED  
Indicators



On

Power LED

BLUE



## Rear View

DC input

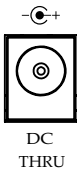
+12VDC  
to +24VDC

Minimum 2000mA



DC THRU  
Output

Same as INPUT  
voltage.



## SYSTEM SPECIFICATIONS

- **System:** Built in a Aluminum Extrusion case, each output is isolated by it's individual Transformer.
- **Output 2 - 4 :** Isolated, Center Negative, 9VDC 500mA
- **Output 1:** Isolated, Center Negative, Selectable +9VDC (500mA) or +12VDC (500mA)
- **THRU:** None Isolated, Center Positvie - depending on DC input voltage
- **Input Voltage:** Center Positive 12VDC 2A minimum
- **Displays:** Power LED, Output LEDs
- **Switches:** Output Selection for Output 1.

Outputs Jacks - 5.5/2.1mm DC jack (Center Negative)

Power supply and THRU - 5.5/2.1mm DC in jack (Center Positive)

- **Power Supply:** DC 12V 2000mA or Higher (center Positive)

•

- **Included Accessories:**

AC cord, AC adaptor.

(2) BLACK (5.5/2.1mm) to BLACK (5/2.1mm) 9"

(2) BLACK (5.5/2.1mm) to BLACK (5/2.1mm) 18"

(1) BLACK (5.5/2.1mm) Center Negative to RED (5/2.1mm) REVERSE  
Center Positive - 18" (for StompMix 4, GigMix 4-1)

- **Optional Accessories: (Sold Seperately)**

BLACK (5.5/2.1mm) to BLUE (5/2.5mm) 18"

BLACK (5.5/2.1mm) Center Positive to YELLOW (5/2.5mm) REVERSE  
Center Negative. 18"

5.5/2.1mm - 5.5mm plug with center PIN of 2.1mm

5.5/2.5mm - 5.5mm plug with center PIN of 2.5mm

### **DC12V ~ 24V DCDC INPUTTHRU**

- **Dimensions:** 3 1/4"W x 3 3/4"D x 1 1/8"H

- **Weight:** 0.8 Lbs

Product specifications subject to change without notice.

For most updated details, please visit: [www.eliteacoustics.com](http://www.eliteacoustics.com) or contract us via email.



**Legal Notice: CALIFORNIA PROPOSITION 65 WARNING**  
**WARNING: Cancer and Reproductive Harm - [www.P65Warnings.ca.gov](http://www.P65Warnings.ca.gov).**

THIS DEVICE COMPLIES WITH PART 15 OF THE FCC RULES. OPERATION IS SUBJECT TO THE FOLLOWING TWO CONDITIONS.

1. THIS DEVICE MAY NOT CAUSE HARMFUL INTERFERENCE, AND
2. THIS DEVICE MUST ACCEPT ANY INTERFERENCE RECEIVED, INCLUDING INTERFERENCE THAT MAY CAUSE UNDESIRE OPERATION.

WARRANTY (USA ONLY)

Contact the Distributor in your area for service and warranty info.

Elite Acoustics Engineering Inc. warrants this product to be free of defects in material and workmanship (excluding battery) for a period of 1 year from the date of original retail purchase. Elite Acoustics Engineering Inc. warrants the Speaker's Battery for 90 days from the date of original retail purchase. This warranty is enforceable only by the original retail purchaser. To be protected by this warranty, the purchaser must complete and return the enclosed warranty card within 14 days of purchase. During the warranty period EAE shall, as its sole and absolute option, either repair or replace, free of charge, any product that proves to be defective on inspection by EAE or its authorized service representative. To obtain warranty service, contact Elite Acoustics Engineering Technical Support via email: [RMA@eliteacoustics.com](mailto:RMA@eliteacoustics.com). PRE-AUTHORIZATION MUST BE OBTAINED BEFORE SENDING ANY PRODUCT TO AN ELITE ACOUSTIC ENGINEERING SERVICE CENTER. All inquires must be accompanied by a description of the problem. All authorized returns must be sent to the EAE repair facility postage prepaid, insured and properly packaged. EAE reserves the right to update any unit returned for repair. EAE reserves the right to change or improve the design of the product at any time without prior notice. This warranty does not cover claims for damage due to abuse, neglect, alteration, or attempted repair by unauthorized personnel and is limited to failures arising during normal use that are due to defects in material or workmanship in the product. Any implied warranties, including implied warranties of merchantability and fitness for a particular purpose, are limited in duration to the length of this limited warranty. Some states do not allow limitations on how long an implied warranty lasts, therefore above limitation may not apply to you. In no event will EAE be liable for incidental, consequential, or other damages resulting from the breach of any express or implied warranty, including among other things, damage to property, damage based on inconvenience or on loss of use of the product, and, to the extent permitted by law, damages for personal injury. Some states do not allow the exclusion of limitation of incidental or consequential damages, so the above limitation or exclusion may not apply to you. This warranty gives you specific legal rights, and you may also have other rights, which vary from state to state. This warranty only applies to products sold and used in the United States of America. For warranty information in all other countries please refer to your local distributor.

©Elite Acoustics Engineering Inc.